

PROXIMITY INDUCTIVE 18DZ

Model:LJ18A3-8-J/DZ



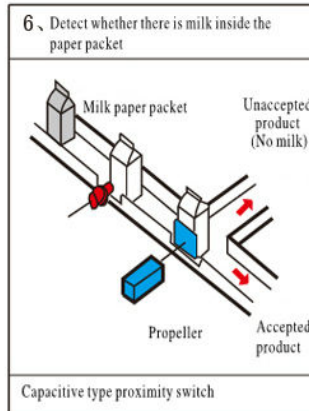
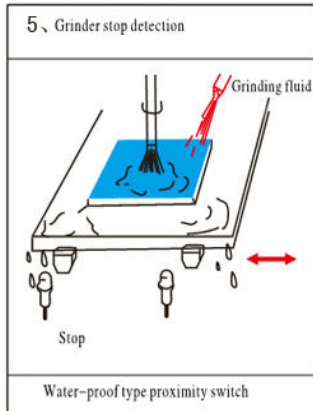
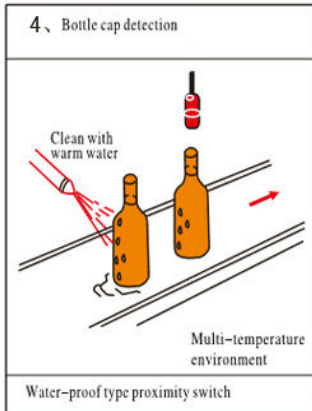
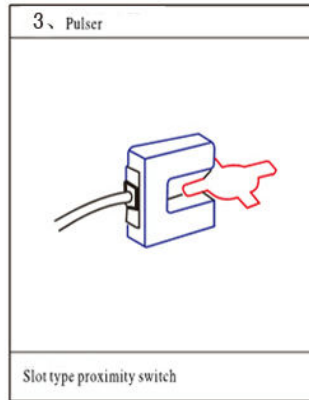
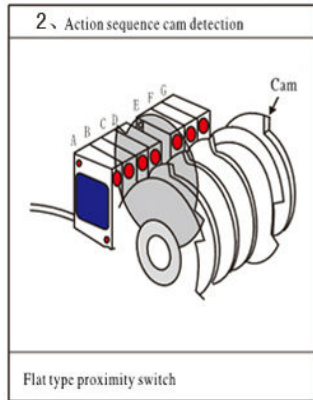
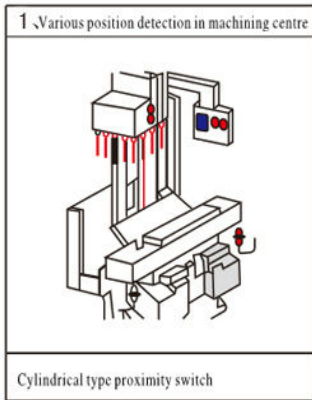
Specifications:

Product Name	Inductive Proximity Switch
Model	LJ18A3-8-J/DZ
Theory	Inductive Sensor
Wire Type	2 Wire Type (Brown, Blue)
Switch Appearance Type	Cylinder Type, Metal Shell
Output Type	NC (Normal Close)
Detection Distance	8mm +/- 10%
Electrical Voltage	90-250V AC
Set Distance	0~7mm
Output Current (max)	400mA
Detect objects	Iron
Standard Detection Object	Iron 30x30x1mm
Response Frequency	DC 0.5kHz , AC 25Hz
Column Sensor Diameter	18mm
Thread Diameter	18mm
External Dimensions	M18x68
Cable Length	1.1m
External Material	Plastic, Alloy

Dimension	M18
Detection Distance	8mm
Dimensional Drawing	

Model	DC Type	NPN	NO	LJ18A3-8-Z/BX
			NC	LJ18A3-8-Z/AX
			NO+NC	LJ18A3-8-Z/CX
		PNP	NO	LJ18A3-8-Z/BY
			NC	LJ18A3-8-Z/AY
			NO+NC	LJ18A3-8-Z/CY
	Two-wire	NO	LJ18A3-8-Z/EX	
		NC	LJ18A3-8-Z/DX	
	AC Type	Two-wire	NO	LJ18A3-8-J/EZ
			NC	LJ18A3-8-J/DZ
Three-wire		NO+NC	LJ18A3-8-J/EDZ	

Applications legend:



Made in China